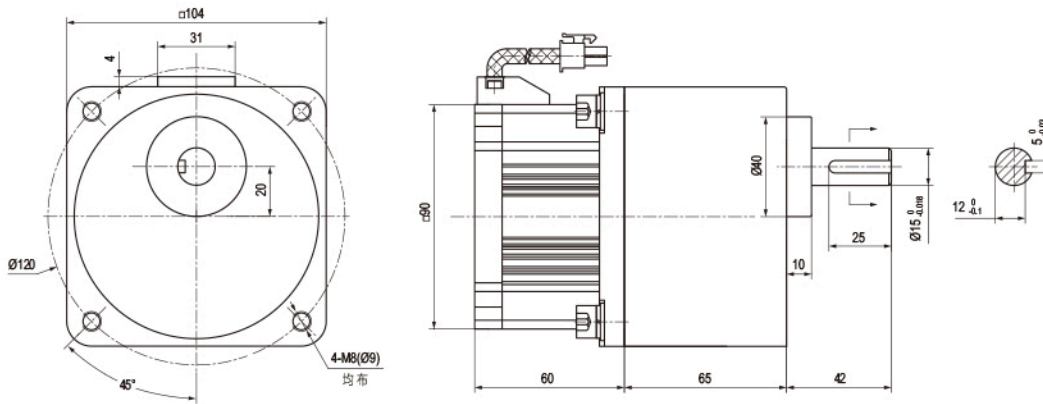


方箱 90 系列无刷直流减速电机 Square Box Type 90 Brushless DC Reduction Motor

150W 200W 250W
□ 90mm □ 104mm



电机外形图 Motor Dimensions



电机性能参数 Motor Performance Parameters

型号 Model	额定功率 Rated Power	电压 Voltage	额定电流 Rated Current	额定转速 Rated Speed	额定力矩 Rated Torque	长度 Length	
	W					V	A
G5BLD&6GU	150	DC24	8.7	1800	0.8	60	
				3000	0.48		
		DC48	4.6	1800	0.8		
				3000	0.48		
		AC220	1.7	1800	1800		0.8
					2000		0.76
	200	DC24	11.6	2500	2500		0.76
					3000		0.76
		DC48	5.8	2500	2500		0.76
					3000		0.76
		AC220	2.2	2500	2500		0.76
					3000		0.76
250	DC24	14.7	2500	2500	0.96		
				3000	0.8		
	DC48	7.4	2500	2500	0.96		
				3000	0.8		
	AC220	2.7	2500	2500	0.96		
				3000	0.8		

扭矩表 Gear Head-Torque Table (电机额定转速 1800r/min)

减速比 Gear Ratio	3	3.6	5	6	7.5	9	10	12.5	15	18	20	25	30	36	50	60	75	90	100	120	150	180	200	250	300
输出轴转速 r/min Output shaft speed	600	500	360	300	240	200	180	144	120	100	90	72	60	50	36	30	24	20	18	15	12	10	9	7.2	6
允许负载 N·m Allow load	150W	2.15	2.58	3.22	3.87	4.83	5.80	6.45	8.06	9.67	11.60	12.89	14.52	17.43	20.91	29.05	34.86	39.39	45	45	45	45	45	45	45
	200W	2.87	3.44	4.30	5.16	6.45	7.74	8.60	10.74	12.89	15.47	17.19	19.37	23.24	27.89	38.73	45	45	45	45	45	45	45	45	45
	250W	3.58	4.30	5.37	6.45	8.06	9.67	10.74	13.43	16.12	19.34	21.49	24.21	29.05	34.86	45	45	45	45	45	45	45	45	45	45